

UNLESS OTHERWISE NOTED  
 DIMENSIONS ARE IN INCHES TOLERANCES ARE:  
 ONE PLACE DECIMALS ± .1 [2.5] THREE PLACE DECIMALS ± .005 [.13]  
 TWO PLACE DECIMALS ± .01 [.3] FOUR PLACE DECIMALS ± .0010 [.025]

TITLE:  
 2mm C.L. SHROUDED  
 TERMINAL STRIP TO  
 MATE WITH CABLE

DWG NO:  
 STMM-1XX-XX-X-D-XX-XX  
 SHEET 2 OF 3

TABLE 2

LEAD STYLE	"A"	"B" REF	PIN #1	"L" REF TERMINAL LENGTH
SURFACE MOUNT	-01	.100 [2.54]	.172 [4.4]	T-1S13-07-X-2 .302 [7.67]
	-02	.120 [3.05]	.173 [4.4]	T-1S13-20-X-2 .323 [8.20]

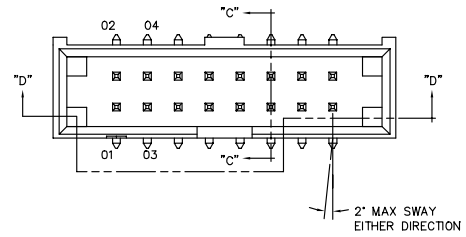
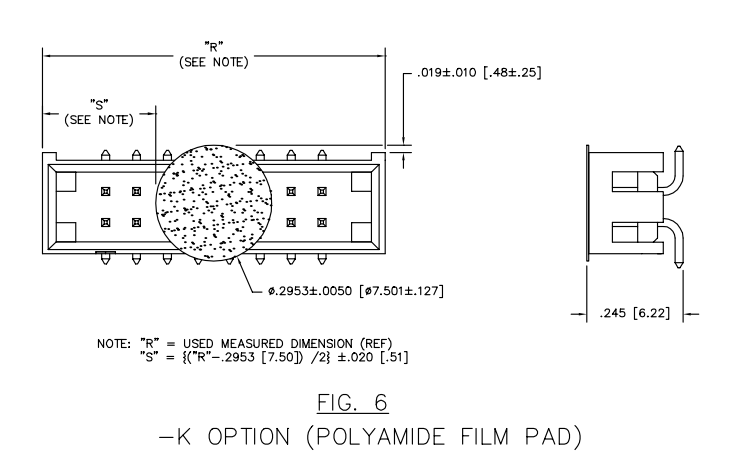
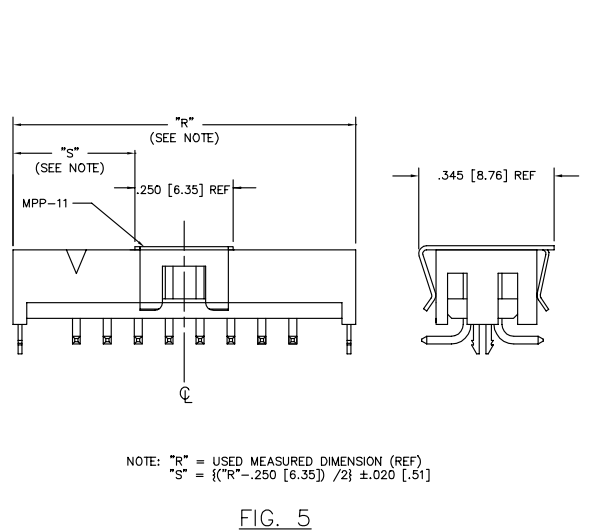
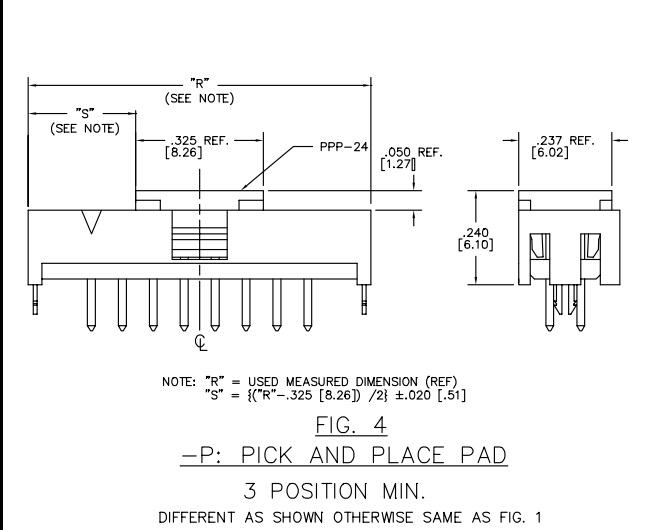
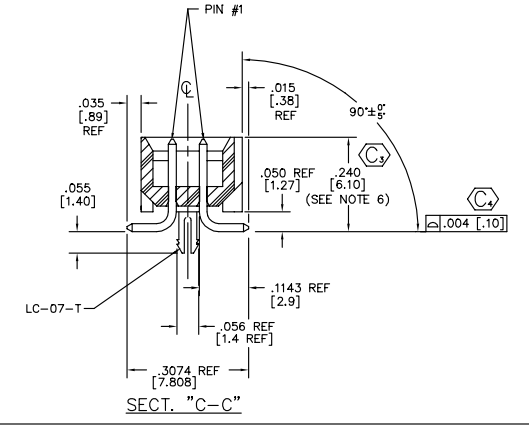
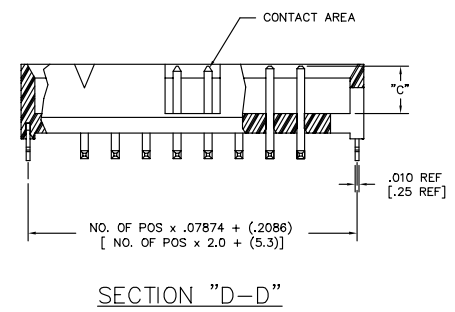
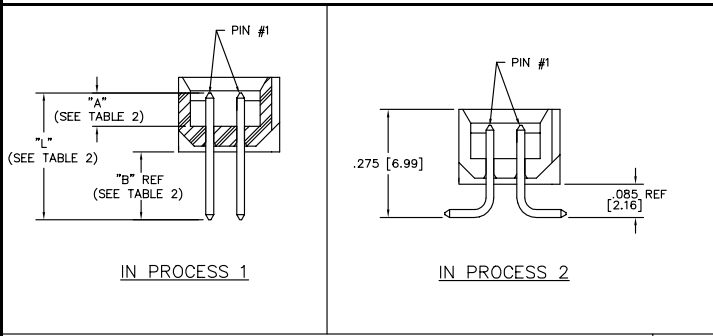


FIG. 3  
 -SM: SURFACE MOUNT  
 DIFFERENT AS SHOWN OTHERWISE SAME AS FIG. 1



**PROPRIETARY NOTE**  
 THIS DOCUMENT CONTAINS INFORMATION CONFIDENTIAL AND PROPRIETARY TO SAMTEC INC. AND SHALL NOT BE REPRODUCED OR TRANSFERRED TO OTHER DOCUMENTS OR DISCLOSED TO OTHERS OR USED FOR ANY PURPOSE OTHER THAN THAT FOR WHICH IT WAS OBTAINED WITHOUT THE EXPRESSED WRITTEN CONSENT OF SAMTEC INC.

EXISPROD\ASSEMBLY\2MM STMMASM2

**samtec**

520 PARK EAST BLVD. NEW ALBANY, INDIANA 47150  
 PHONE (812) 944-6733 P.O. BOX 1147  
 CODE 55322

MADE BY: BRATCHER 2-21-94

STMM-1XX-XX-X-D-XX-XX  
 SHEET 2 OF 3